

Edition: 08/01 - subject to change  
Substitutes: 09/90  
Status: valid

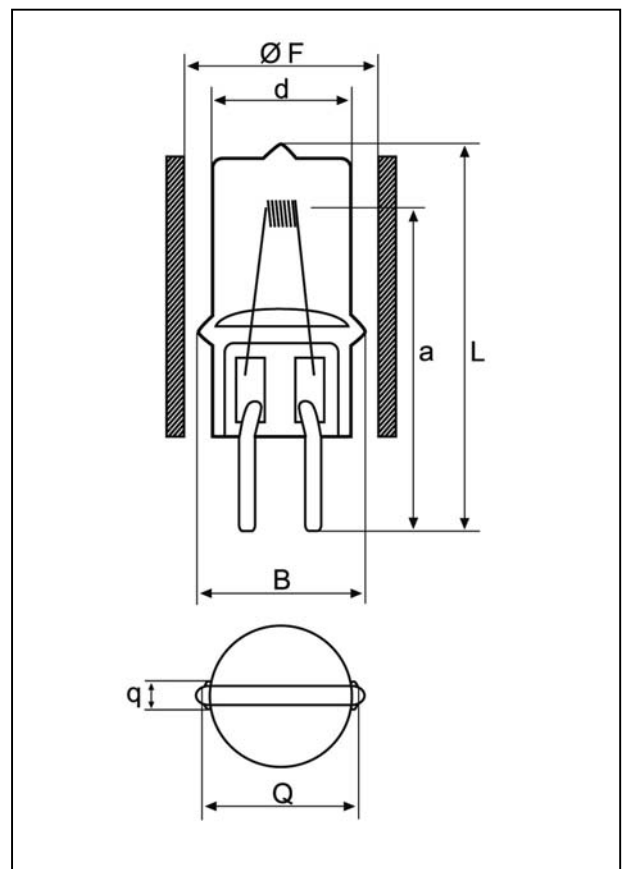
**64665 HLX**

### ■ Product description

The OSRAM 64665 HLX is a tungsten halogen low voltage lamp for projection purposes.

### ■ Technical data

Order reference	64665 HLX	
ANSI	-	
LIF	-	
Rated lamp wattage	W	400
Rated lamp voltage	V	36
Luminous flux	lm	12200
Colour temperature	K	approx. 3400
Lamp length (overall) <b>L</b>	mm	max. 60
Diameter <b>d</b>	mm	max. 18
Pinch Width <b>B</b>	mm	max. 20
<b>Q</b>	mm	max. 20
<b>q</b>	mm	max. 6.5
LCL	mm	36
Filament type	Transversal, flat-core CBar-6	
Filament dimensions	mm <sup>2</sup>	approx. 10.5 x 5.3
Average service life	h	300
Base	G6.35	
Deviation of filament center from base axis not more than:	mm	1.6



### ■ Lamp operation

Maximum permissible pinch temperature	°C	350
Burning position	s90	
Required fuse protection	16 A quick-acting in the secondary circuit	
Further	<b>F</b> denotes minimum free space required due to the size of the lamp. In practice a greater free space may be necessary to get heat emission under control. (min. 21 mm)	